



Setting Up Your Samsung Gear VR Headset & Experience



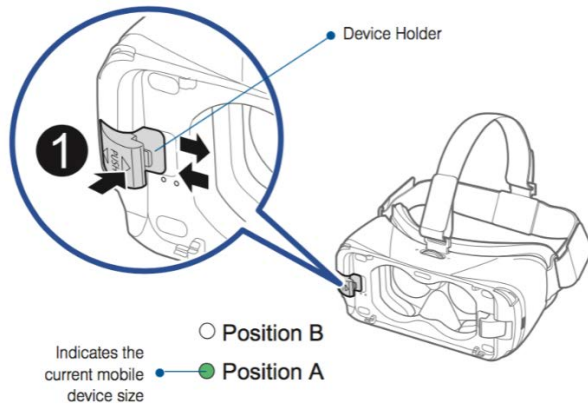
STEP 1

On the front of the VR headset there is a cover plate. This needs to be removed first and stored safely somewhere until you are done using the headset. You will notice two small latches to the left and right of the front plate of the head set. The one without any button needs to be gently slid outward and the cover plate will pop up for removal.



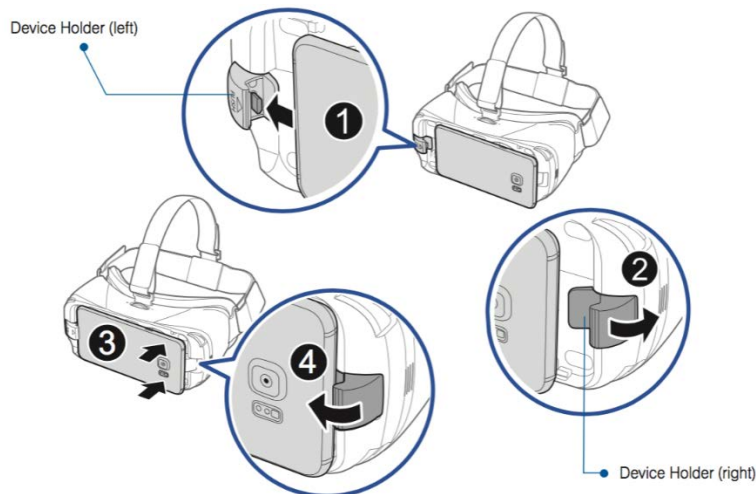
STEP 2

Power up your Galaxy Phone and swipe the lock screen to open to phone's home screen. If required, be sure Wifi is turned on and set up. If you choose to use the game controller vs the headset built in controller, you need to also enable Bluetooth and be sure to pair the controller device first (see separate instruction sheet on using Samsung Game Controller). To turn on Wifi or Blue tooth on the phone, swipe down from the top of the home screen and click on Wifi and/or Bluetooth Symbols. We generally ship these activated already.



STEP 3

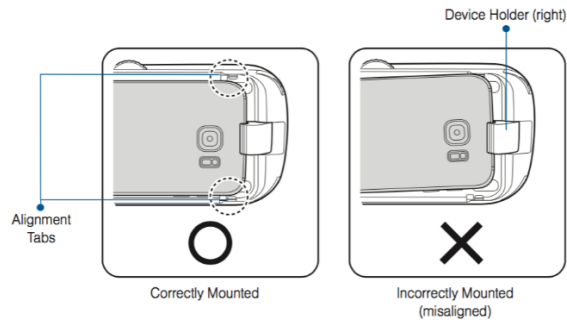
On the opposite tab that you used to slide to remove the cover plate you will see a USB male port/device holder on the inside of the tab. With the screen of the phone facing the lens of the headset, hold the mobile device at a slight angle to slide the mobile device's USB port CAREFULLY AND GENTLY onto the Gear VR connector. **DO NOT FORCE OR BEND!** Be sure the connector is firmly seated against the USB port.



Pull the other device holder (2) slightly outward.

Press the top of the mobile device into the device holder (3) until it clicks (4).

AGAIN - Make sure the screen of the mobile device faces inward, toward the Gear VR headset. To avoid damage, do not insert the connector forcefully or roughly into the mobile device. You'll only need a small amount of force if the headset and the mobile device are in the correct position. Make sure your mobile device isn't tilted to one side. It's important to align your mobile device's screen and the headset's lenses precisely.



STEP 5

Once installed, the phone will automatically pull up the Oculus App and home screen. With the headset on you can adjust the velcro straps as needed to fit your head. The thumbnail wheel knob on top of the headset in the middle can be turned to adjust your screen focus while wearing the headset.

HEADSET TOUCH PAD

This is located on the right side of the headset. There is a HOME button and a RETURN/BACK arrow button with an actual touchpad.



These may be used to navigate your VR experience or you can set up and use the VR controller.

VR CONTROLLER SET UP

See separate instruction sheet. Be sure you have Bluetooth enabled and the controller paired as a device before installing phone in the headset.

ATTACH SONY HEADPHONES

Open up the Sony headphones by swiveling the earpieces in to position. Plug the male jack of the headphones in to the Galaxy 7 phone **carefully while holding the phone** in place to be sure not to unseat the phone.